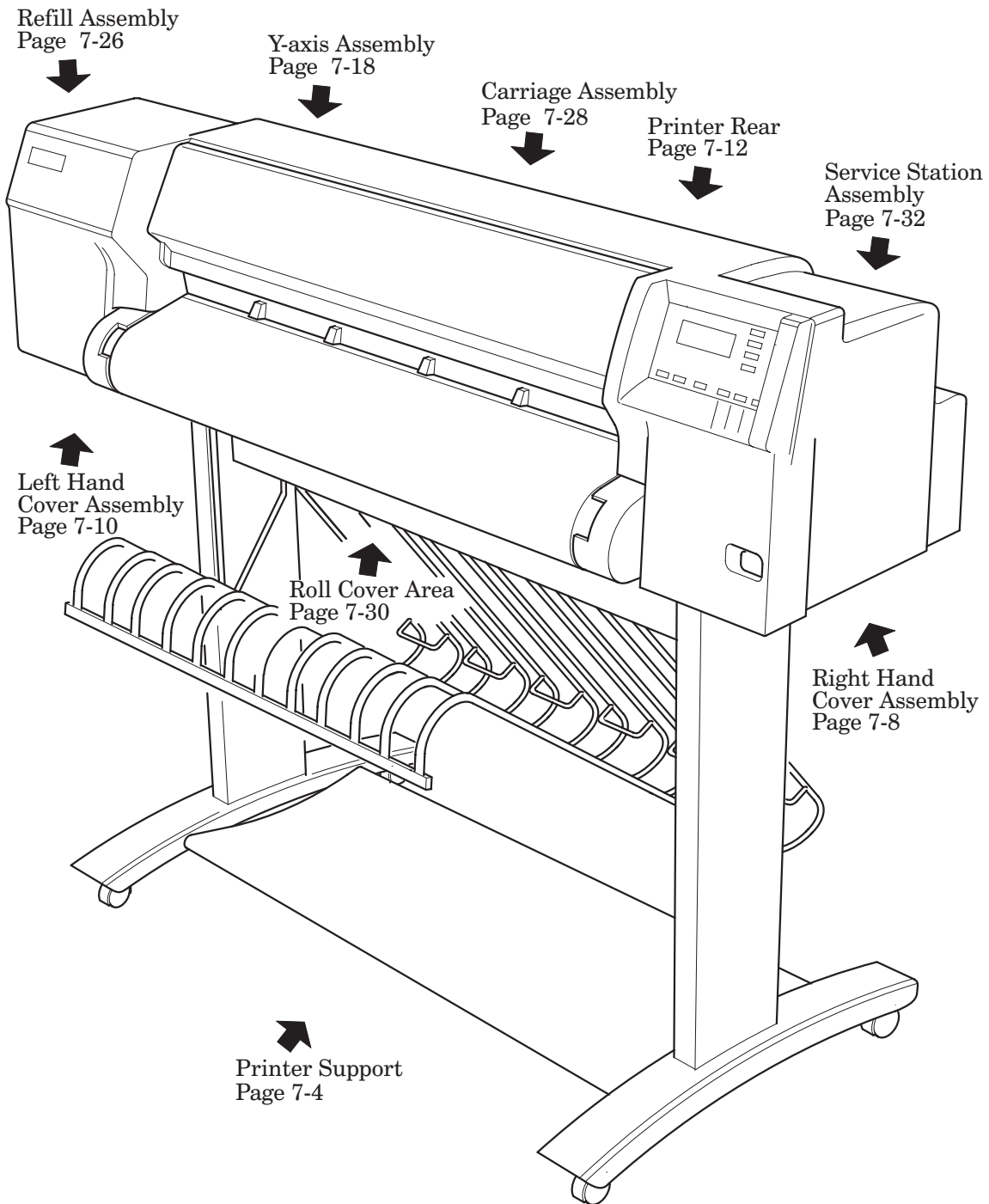
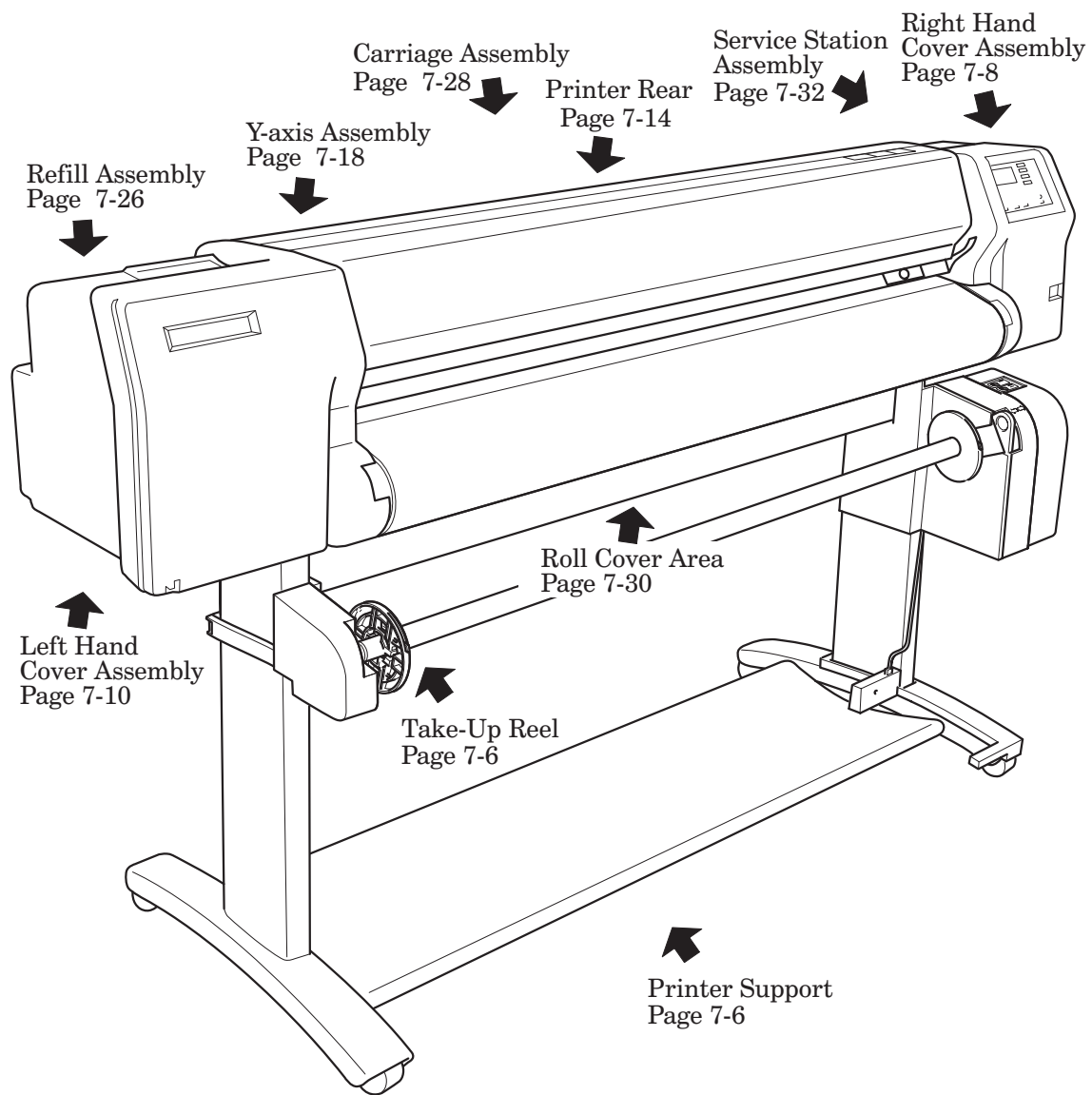

Parts and Diagrams



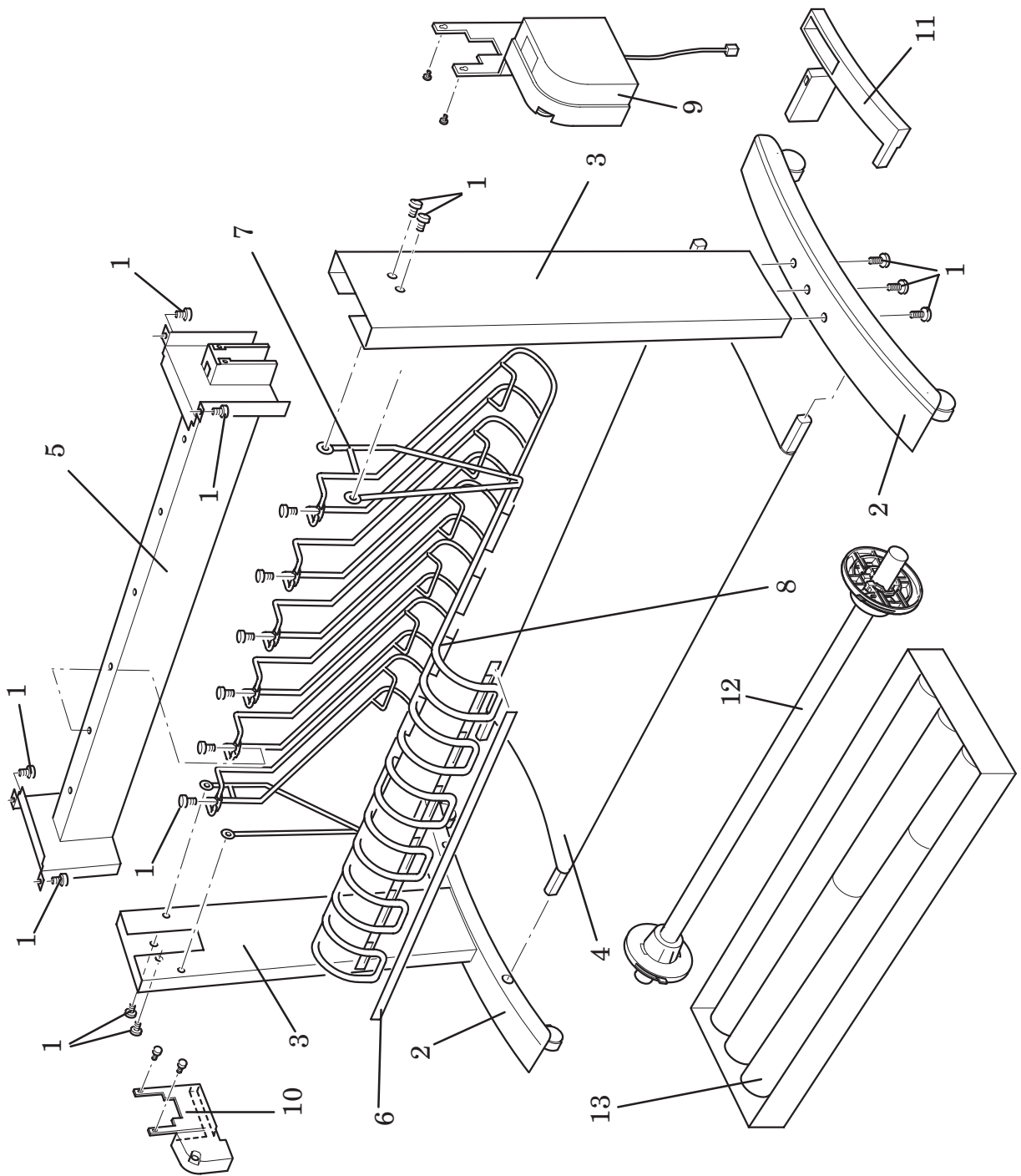
HP DesignJets 2500CP and 2000CP (Overview)



HP DesignJets 3500CP and 3000CP (Overview)

Printer Support (HP DesignJets 2500CP and 2000CP Only)

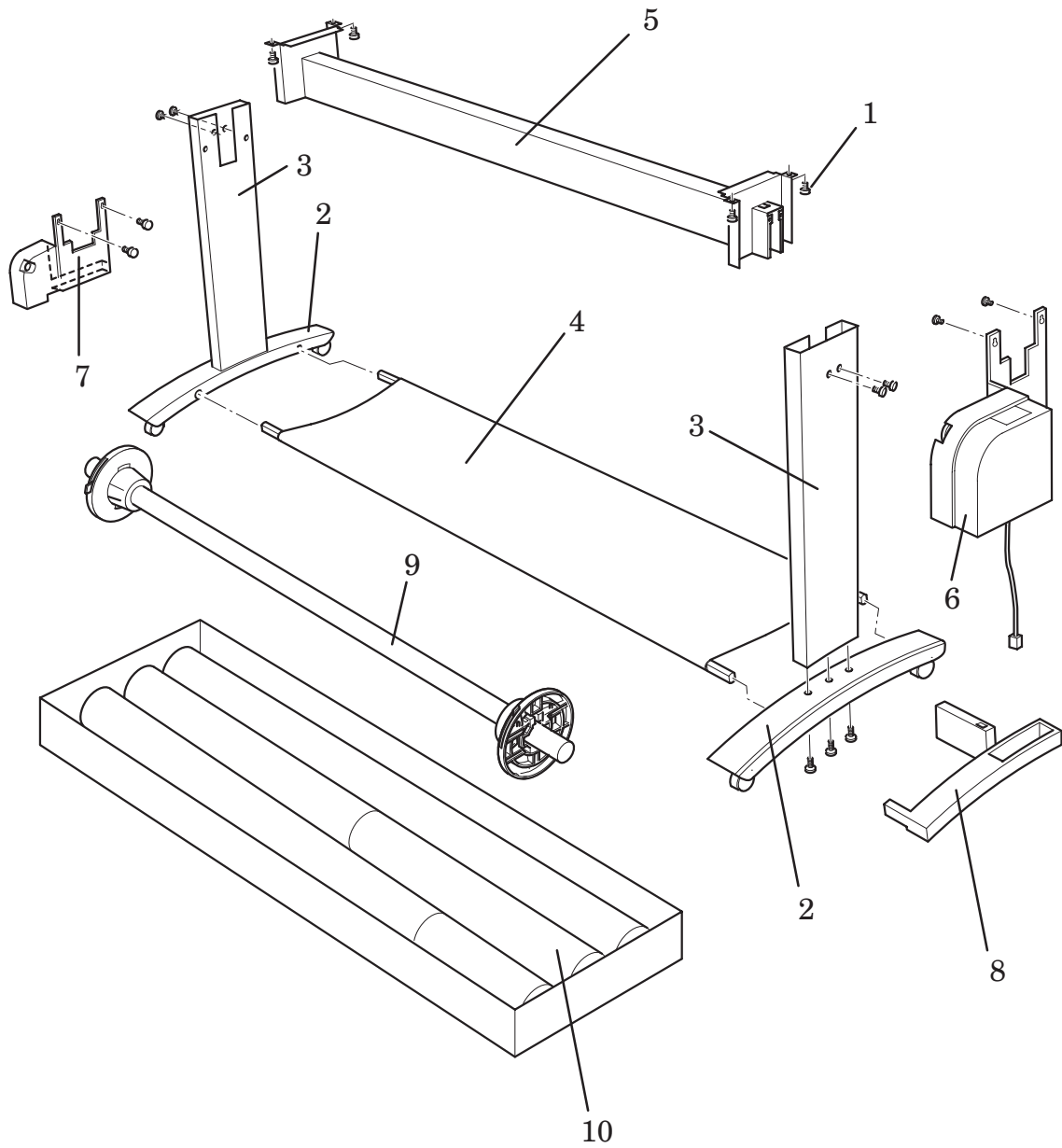
Reference on Drawing	HP Part Number	Quantity	Description
1	C4704-60095	1	Hardware Kit (Includes Screw Drivers)
2	C4704-60086	2	Foot Assembly
3	C4704-60075	2	Legs Assembly
4	C4704-60084	1	Tray Assembly
5	C4704-60077	1	X-axis Brace
6	C4704-40070	1	End Cap
7	C4704-60074	1	X Bar Assembly
8	C4704-60073	6	Paper Loop Assembly
■ 9	C4723-60144	1	Take-up Reel Right Hand Support
■ 10	C4723-60072	1	Take-up Reel Left Hand Support
■ 11	C4723-60071	1	Take-up Reel Sensor
■ 12	C6246-60010	1	36 " Take-up Reel Spindle
■ 13	C6246-60011	1	36 " Take-up Reel Tubes



Printer Support (HP DesignJets 2500CP and 2000CP Only)

Printer Support (HP DesignJets 3500CP and 3000CP Only)

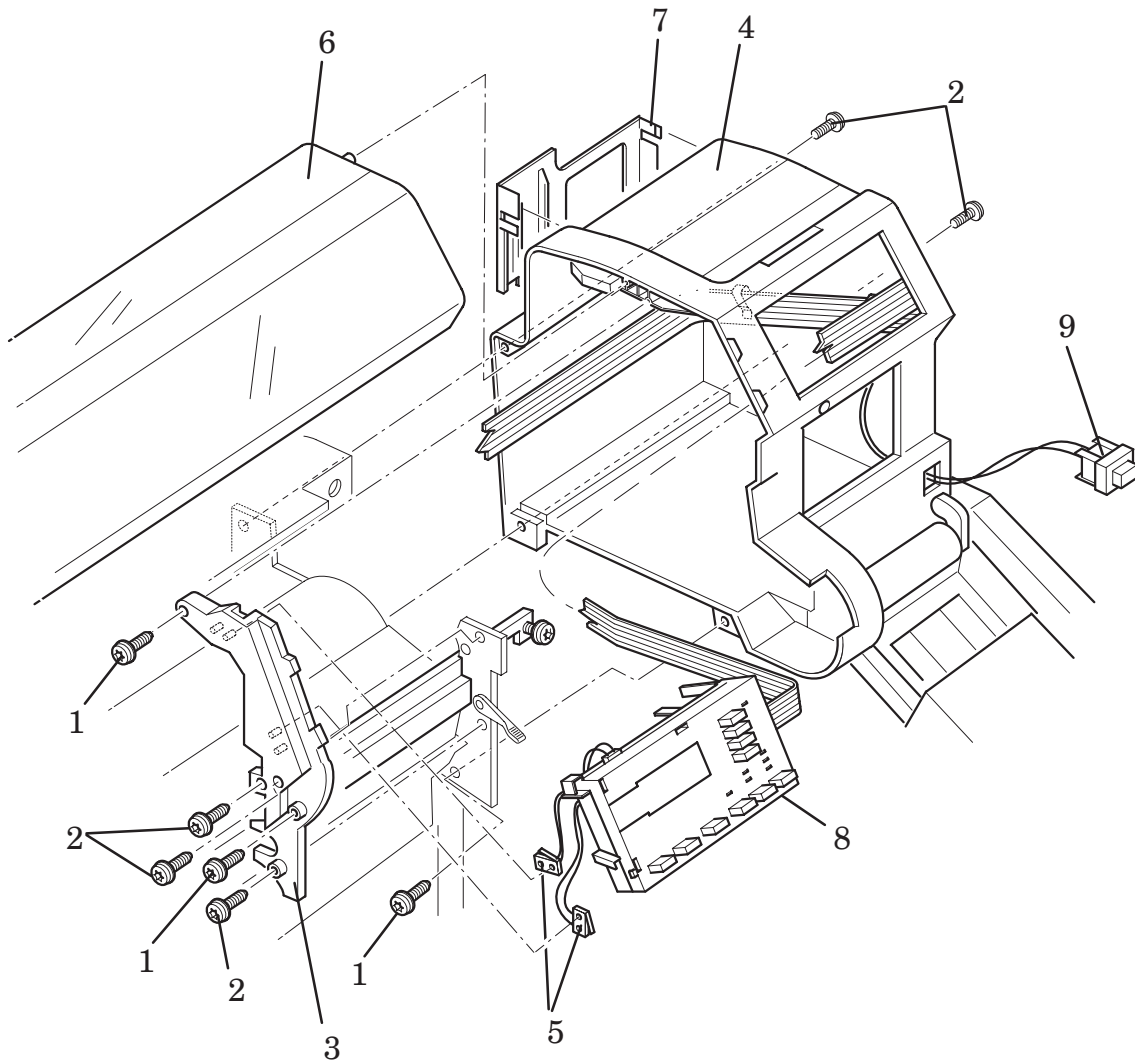
Reference on Drawing	HP Part Number	Quantity	Description
1	C4704-60095	1	Hardware Kit (Includes Screw Drivers)
2	C4723-60086	2	Foot Assembly
3	C4704-60075	2	Legs Assembly
4	C4723-60084	1	Tray Assembly
5	C4723-60077	1	X-axis Brace
6	C4723-60144	1	Take-up Reel Right Hand Support
7	C4723-60072	1	Take-up Reel Left Hand Support
8	C4723-60071	1	Take-up Reel Sensor
9	C4723-60064	1	Take-up Reel Spindle
10	C4723-60060	1	Take-up Reel Tubes



Printer Support (HP DesignJets 3500CP and 3000CP Only)

Right Hand Cover Area

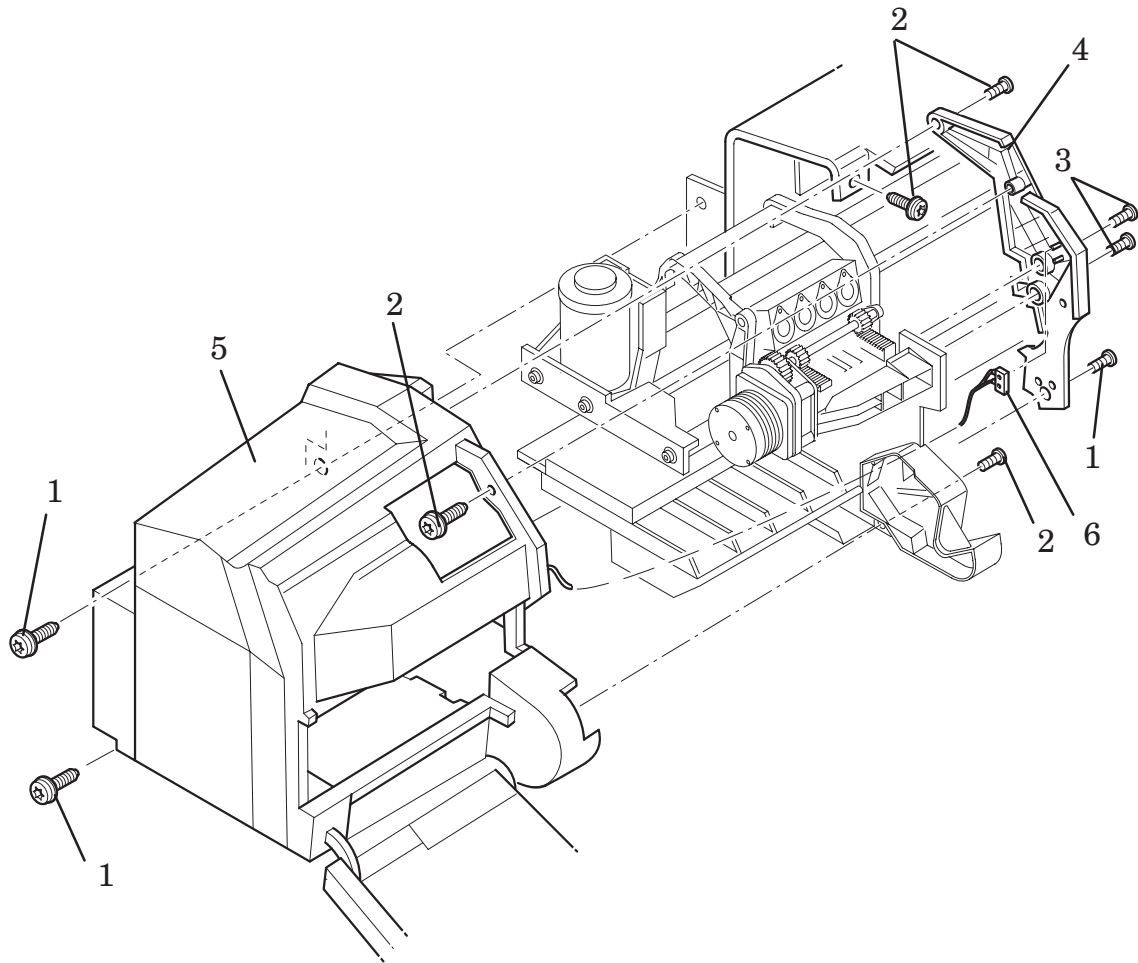
Reference on Drawing	HP Part Number		Quantity	Description
	DesignJet 2500CP/2000CP	DesignJet 3500CP/3000CP		
1	0515-2337	0515-2337	5	Screw (T-15)
2	0624-0771	0624-0771	3	Screw (T-15)
3	C4704-60113	C4704-60113	1	Right Hand Trim Assembly
4	C4704-60091	C4723-60115	1	Right Hand Cover Assembly
5	C4704-60029	C4704-60029	1	Right Hand Cover Sensors
6	C4704-60087	C4723-60236	1	Window
7	C4704-40061	C4704-40061	1	Quick Reference Pocket
8	C4704-60046	C4704-60255	1	Front Panel Assembly
9	C4704-60045	C4704-60045	1	Stand-by Button



Right Hand Cover Area

Left Hand Cover Area

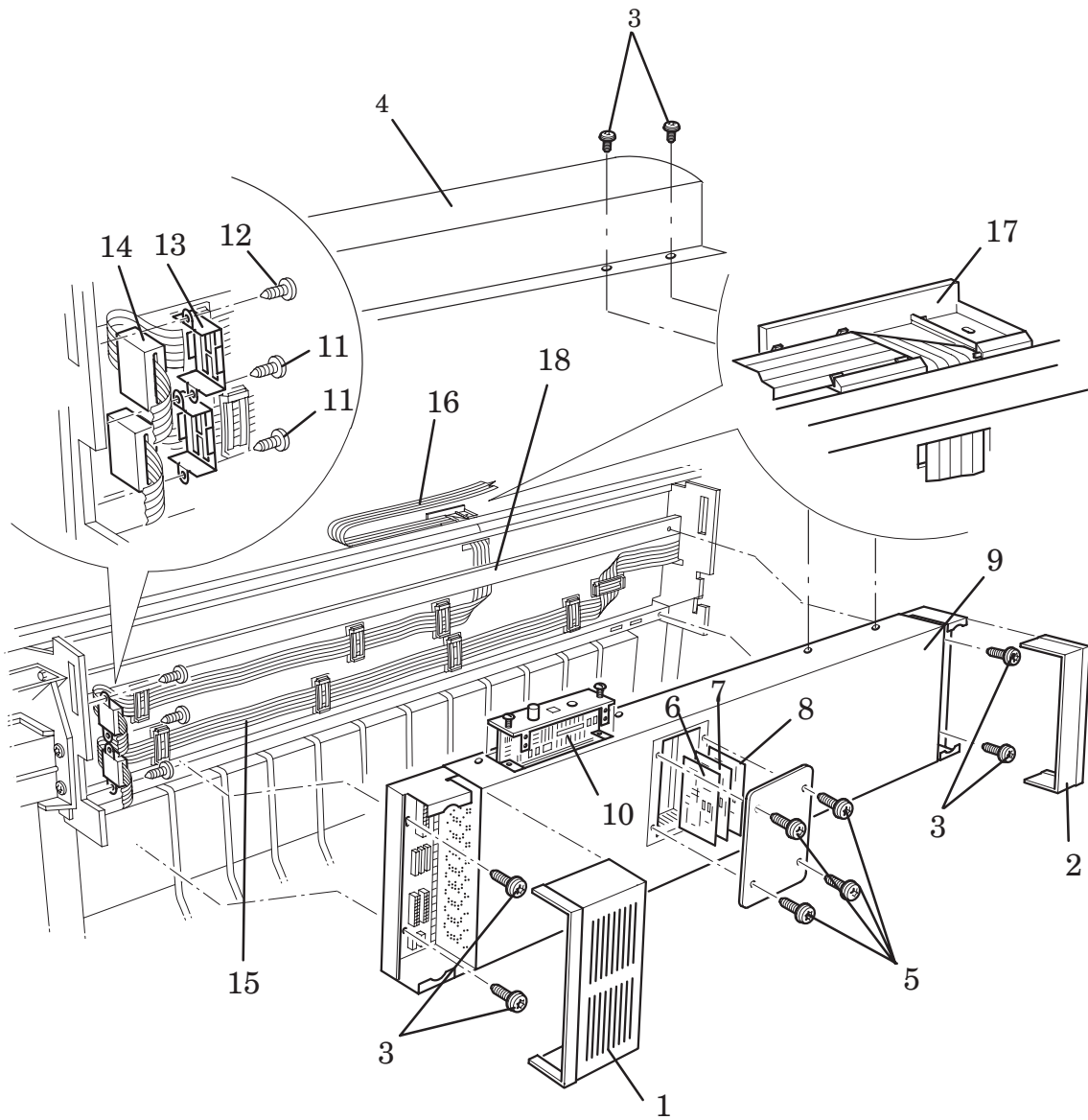
Reference on Drawing	HP Part Number		Quantity	Description
	DesignJet 2500CP/2000CP	DesignJet 3500CP/3000CP		
1	0515-2337	0515-2337	3	Screw (T-15)
2	0624-0771	0624-0771	4	Screw (T-15)
3	0515-1743	0515-1743	2	Screw (T-15)
4	C4723-60111	C4723-60111	1	Left Hand Trim Assembly
5	C4704-60092	C4723-60116	1	Left Hand Cover Assembly
6	C4704-60058	C4704-60058	1	Left Hand Cover Sensor
-	C4704-00121	-	1	HP DesignJet 2500CP Name Plate
-	-	C4724-00001	1	HP DesignJet 3500CP Name Plate
-	C4703-00004	-	1	HP DesignJet 2000CP Name Plate
-	-	C4723-00074	1	HP DesignJet 3000CP Name Plate
-	C4704-00119	C4704-00119	1	Adobe Logo Label



Left Hand Cover Area

Printer Rear (HP DesignJets 2500CP and 2000CP Only)

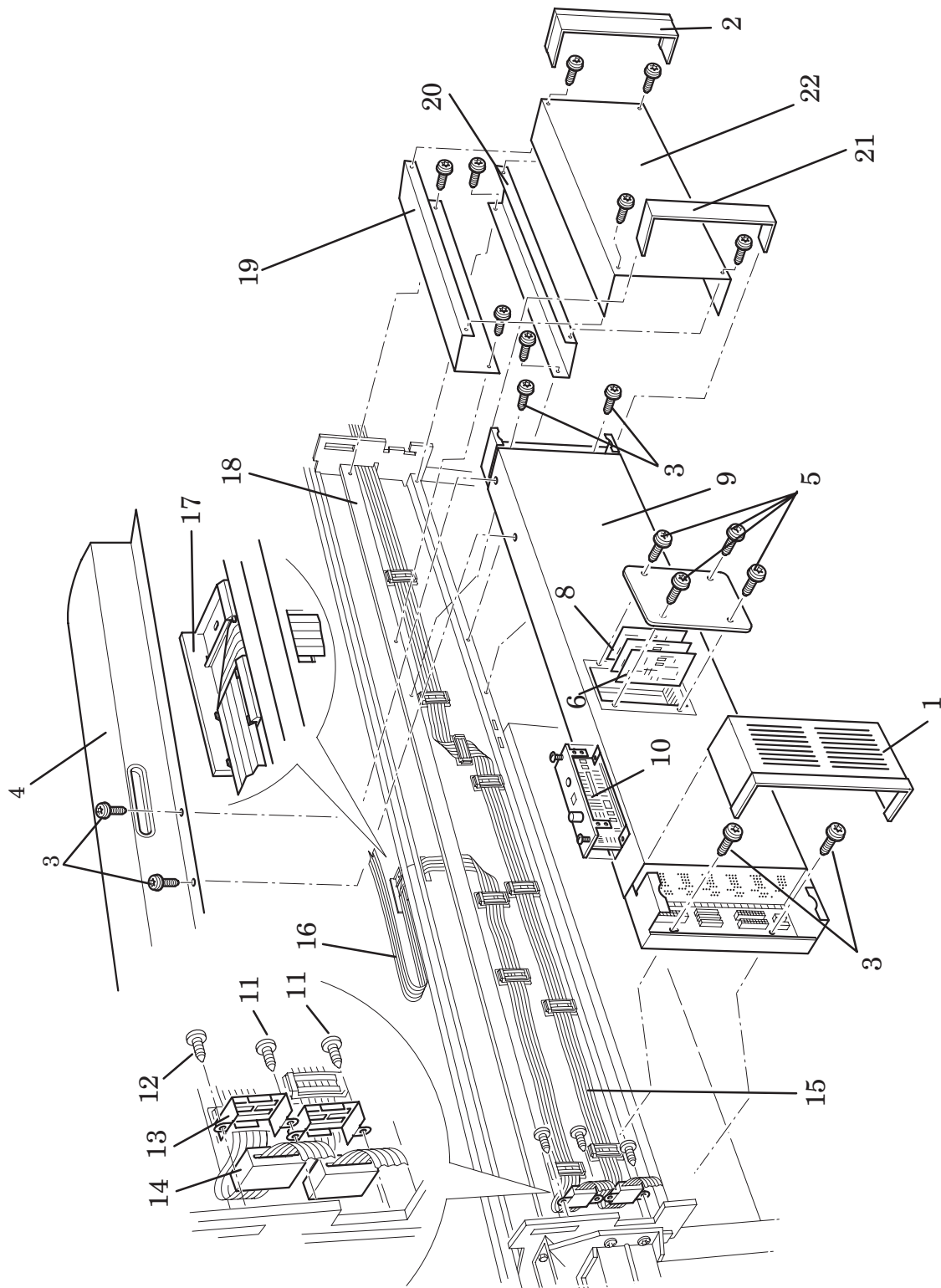
Reference on Drawing	HP Part Number	Quantity	Description
1	C4704-40058	1	Back Cover Right
2	C4704-40057	1	Back Cover Left
3	0515-2248	8	Screw (T-20)
4	C4704-00021	1	Top Cover
5	0515-2246	4	Screw (T-10)
■ 6	C4704-60322	1	Firmware and PostScript Upgrade Kit (Includes Item 7) (HP DesignJet 2500CP)
■	C4723-60322	1	Firmware Upgrade Kit (HP DesignJet 2000CP)
■ 7	DELETED		
8	-	1	Memory DRAM SIMM (see page 7-52)
■ 9	C4723-60114 (New)	1	Electronics Module
■	C4723-69114 (Repaired)		
10	J2551-61016	1	MIO Card
-	C4704-00004	1	MIO Cover (HP DesignJet 2000CP)
11	0515-2282	2	Screw (T20)
12	0515-2200	1	Screw (T15)
13	C3195-00048	2	Ferrite Clamp
14	9170-1822	1	Ferrite
15	C4704-60025	1	Refill Interconnect Cable
16	C4704-60015	1	Trailing Cable
17	C4704-40086	1	Trailing Cable Holder
18	C4704-60090	1	Electronics Support Frame



Printer Rear (HP DesignJets 2500CP and 2000CP Only)

Printer Rear (HP DesignJets 3500CP and 3000CP Only)

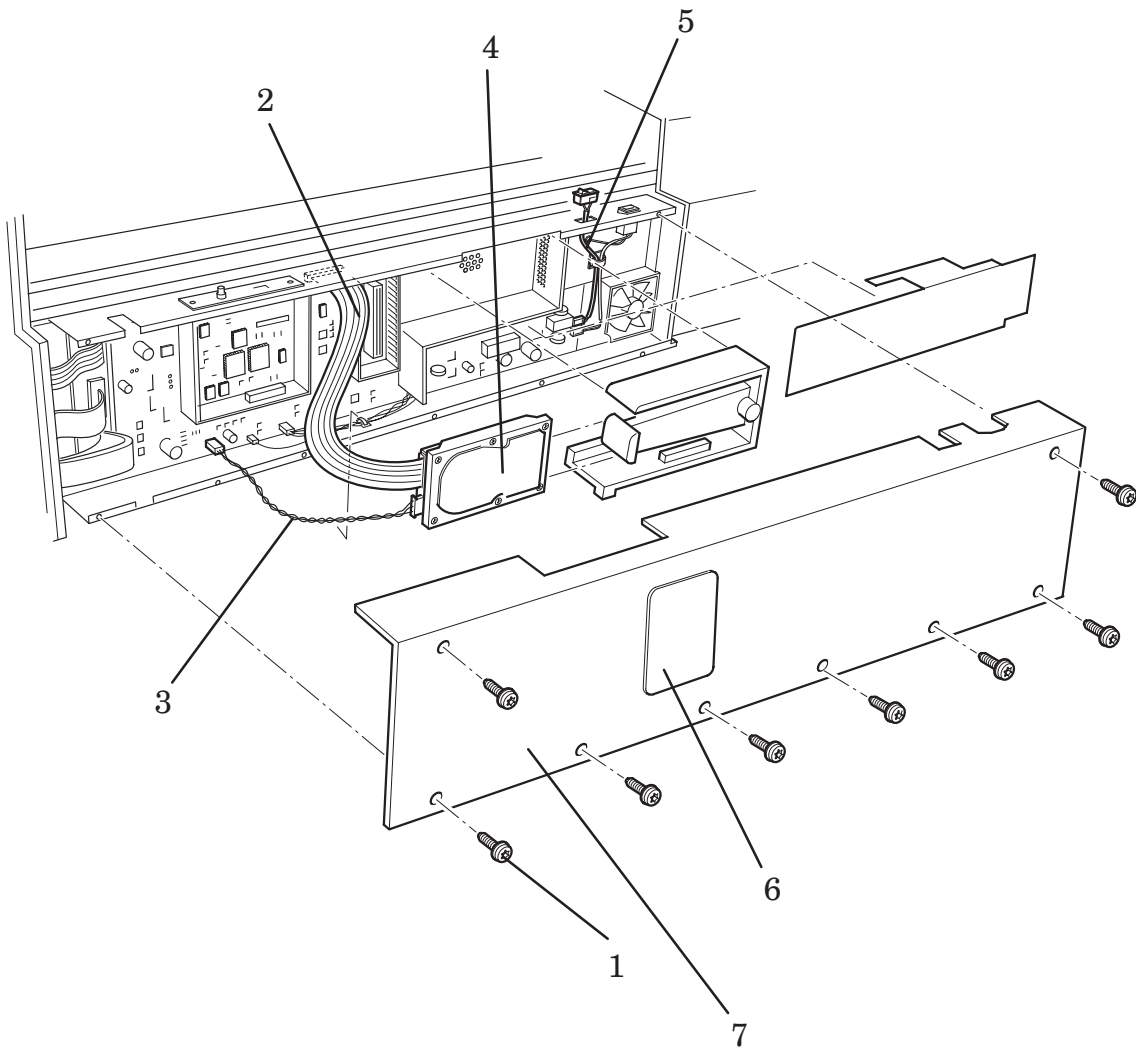
Reference on Drawing	HP Part Number	Quantity	Description
1	C4704-40058	1	Back Cover Right
2	C4704-40057	1	Back Cover Left
3	0515-2248	8	Screw (T-20)
4	C4723-60011	1	Top Cover
5	0515-2246	4	Screw (T-10)
■ 6	C4704-60322	1	Firmware and PostScript Upgrade Kit (HP DesignJet 3500CP)
■	C4723-60322	1	Firmware Upgrade Kit (HP DesignJet 3000CP)
■ 7	DELETED		
8	-	1	Memory DRAM SIMM (see page 7-52)
9	C4723-60114 (New) C4723-69114 (Repaired)	1	Electronics Module
10	J2551-61016	1	MIO Card
-	C4704-00004	1	MIO Cover (HP DesignJet 3000CP)
11	0515-2282	2	Screw (T20)
12	0515-2200	1	Screw (T15)
13	C3195-00048	2	Ferrite Clamp
14	9170-1822	1	Ferrite
15	C4723-60025	1	Refill Interconnect Cable
16	C4723-60237	1	Trailing Cable
17	C4704-40086	1	Trailing Cable Holder
18	C4723-60090	1	Electronics Support Frame (includes items 19 and 20)
19	-	1	Lower Cover Support
20	-	1	Upper Cover Support
21	C4723-20008	1	Rear Center Cover
22	C4723-00010	1	Additional Rear Cover



Printer Rear (HP DesignJets 3500CP and 3000CP Only)

Electronics Module (Internal)

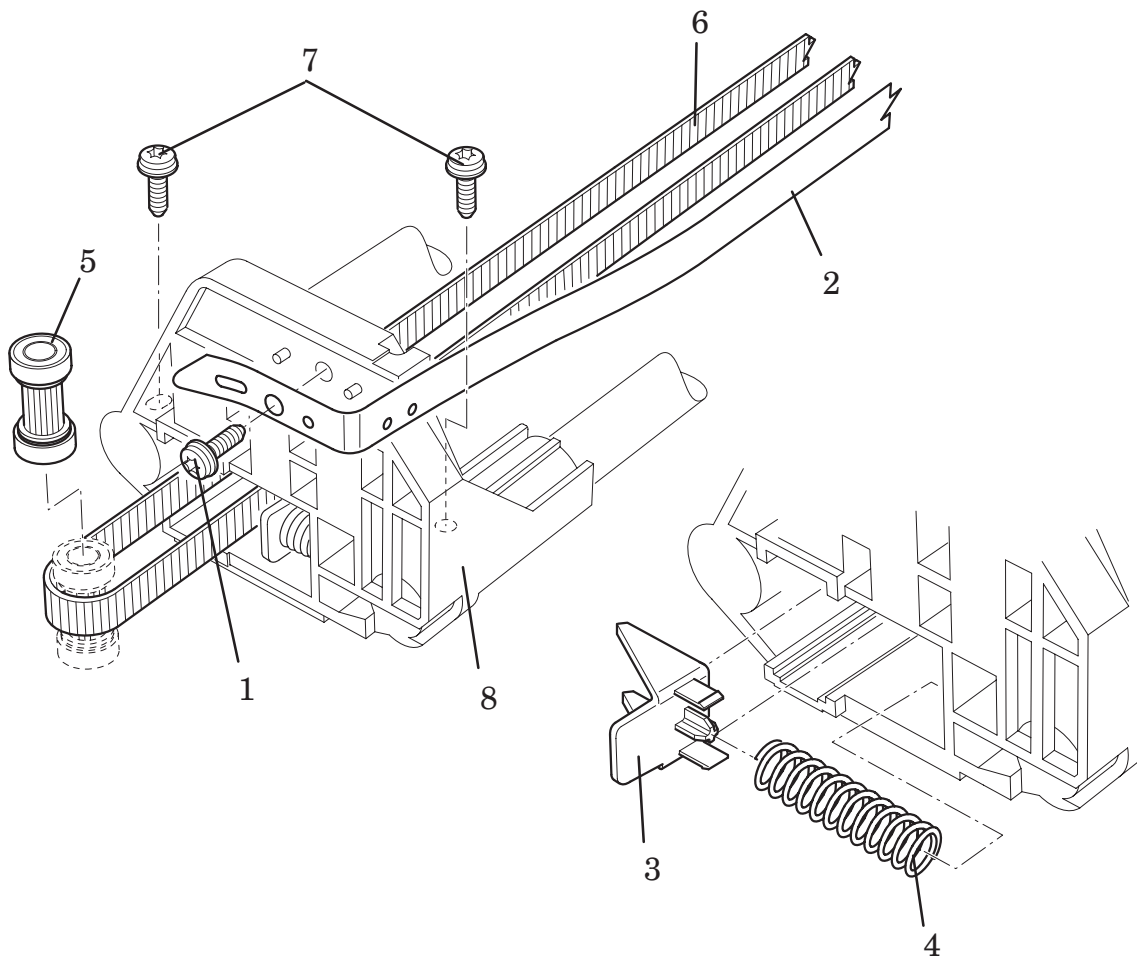
Reference on Drawing	HP Part Number	Quantity	Description
1	0515-2282	8	Screw (T-20)
2	C4704-60022	1	Hard Disk Data Cable
3	C4704-60021	1	Hard Disk Power Cable
4	C4724-60021	1	Hard Disk Drive (New)
	C4724-69021	1	Hard Disk Drive (Repaired)
5	C4704-60056	1	Power Switch Cable
6	C4704-00033	1	SIMM Cover
7	C4723-60070	1	Electronics Module Cover (includes item 6)



Electronics Module (Internal)

Y-axis Assembly

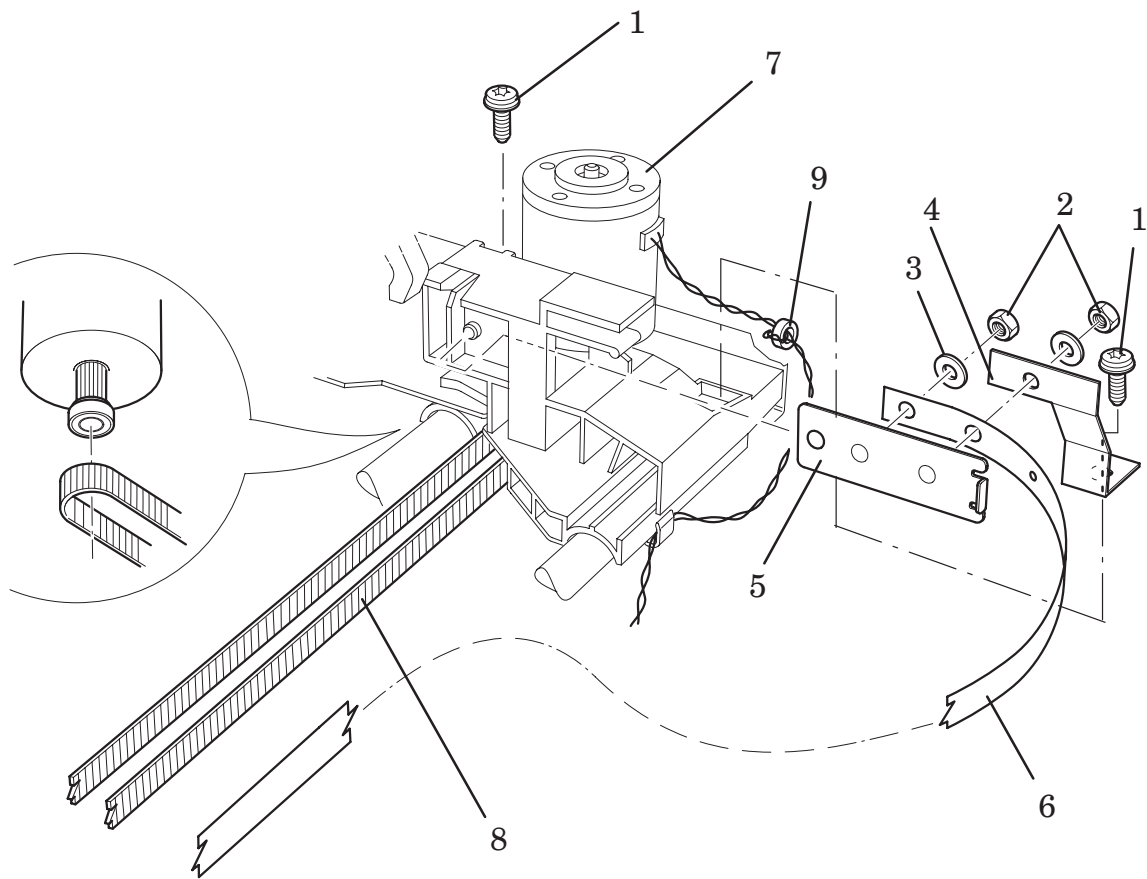
Reference on Drawing	HP Part Number		Quantity	Description
	DesignJet 2500CP/2000CP	DesignJet 3500CP/3000CP		
1	0624-0704	0624-0704	1	Screw (T-15)
2	C4704-60224	C4723-60232	1	Encoder Strip Assembly
3	–	–	1	Wedge Clip
4	–	–	1	Y-axis Tensioner Spring
5	C4704-60020	C4704-60020	1	Pulley Assembly
6	C4704-60207	C4723-60235	1	Y-axis Belt
7	0515-2248	0515-2248	2	Screw (T-20)
8	C4704-60063	C4723-60063	1	Y-axis Tensioner Assembly (includes items 3 and 4)



Y-axis Assembly

Y-axis Assembly (continued)

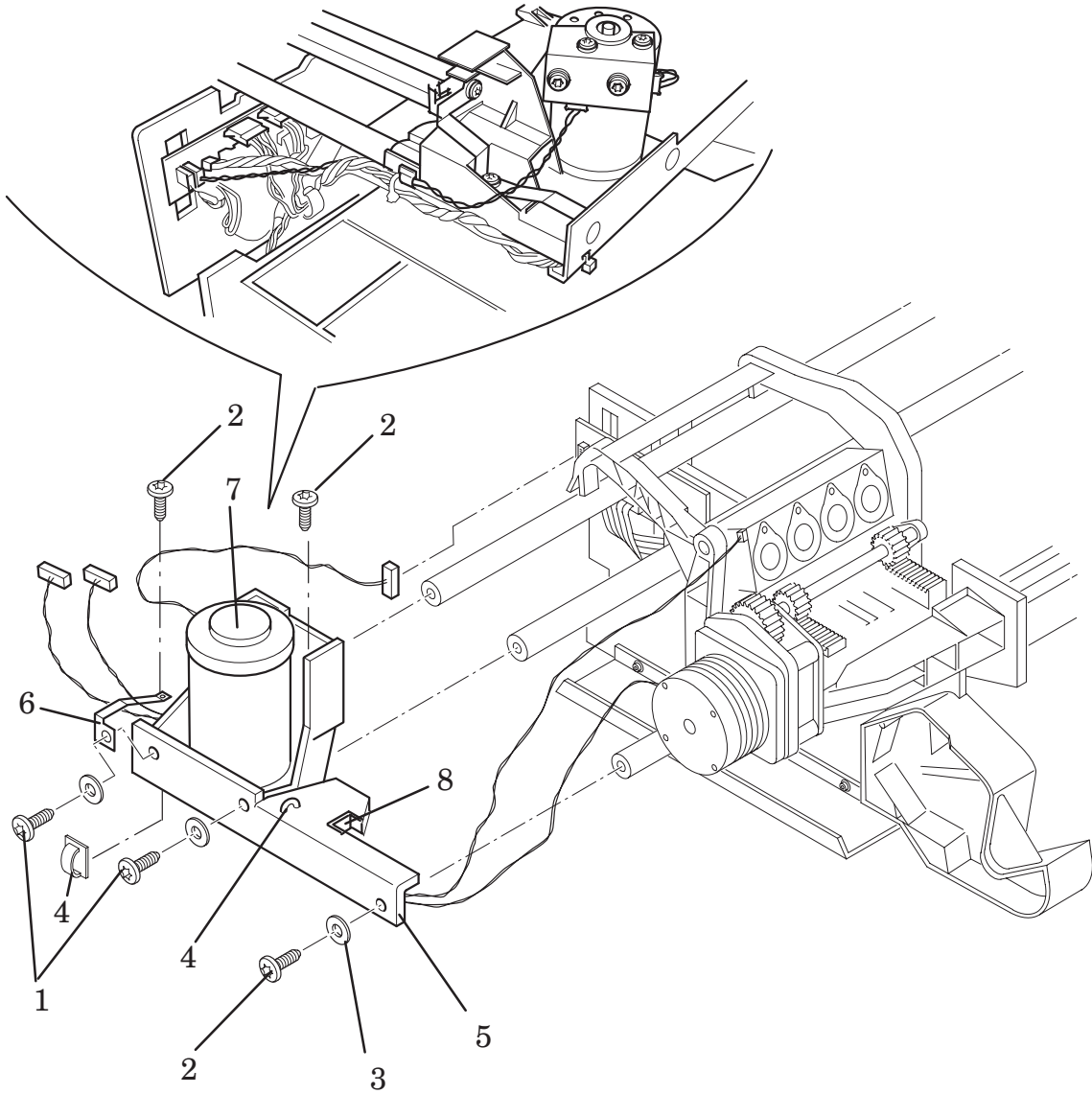
Reference on Drawing	HP Part Number		Quantity	Description
	DesignJet 2500CP/2000CP	DesignJet 3500CP/3000CP		
1	0515-2248	0515-2248	2	Screw (T-20)
2	0535-0031	0535-0031	2	Nut
3	3050-0026	3050-0026	2	Washer
4	C4704-00016	C4704-00016	1	Encoder Grounding
5	C4699-00016	C4699-00016	1	Encoder Spring
6	C4704-60224	C4723-60232	1	Encoder Strip Assembly
7	C4704-60064	C4723-60083	1	Y-axis Motor Assembly
8	C4704-60207	C4723-60235	1	Y-axis Belt
9	9170-1687	9170-1687	1	Magnetic Core



Y-axis Assembly (continued)

Y-axis Assembly (continued)

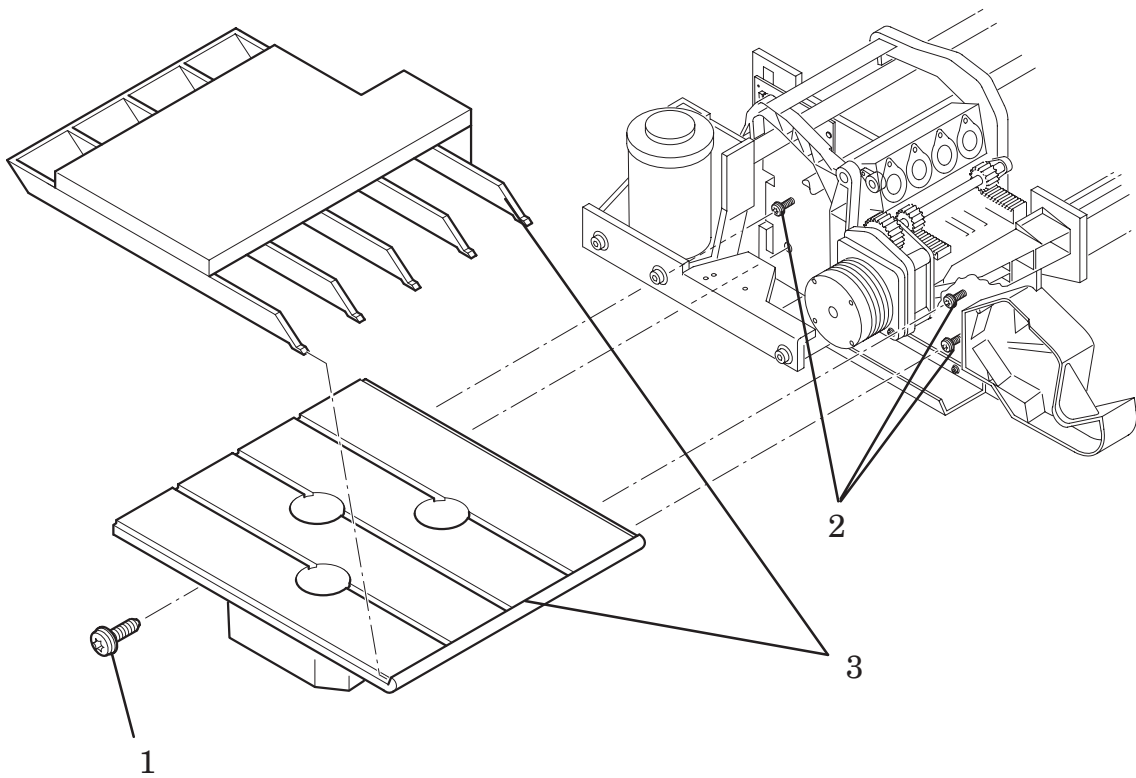
Reference on Drawing	HP Part Number		Quantity	Description
	DesignJet 2500CP/2000CP	DesignJet 3500CP/3000CP		
1	0624-0771	0624-0771	2	Screw (T-15)
2	0515-2248	0515-2248	3	Screw (T-20)
3	2190-0760	2190-0760	3	Washer
4	1400-0577	1400-0577	2	Cable Tie
5	C4704-00005	C4704-00005	1	Y-axis Bracket (Includes Item 8)
6	C4704-00035	C4704-00035	1	Grounding Bridge
7	C4704-60064	C4723-60083	1	Y-axis Motor Assembly
8	04060-2536	0460-2536	1	Edge Wire Saddle (Included with Item 5)



Y-Axis Assembly (continued)

Elevator Assembly
(Applicable to HP DesignJets 2XXXCP and 3XXXCP)

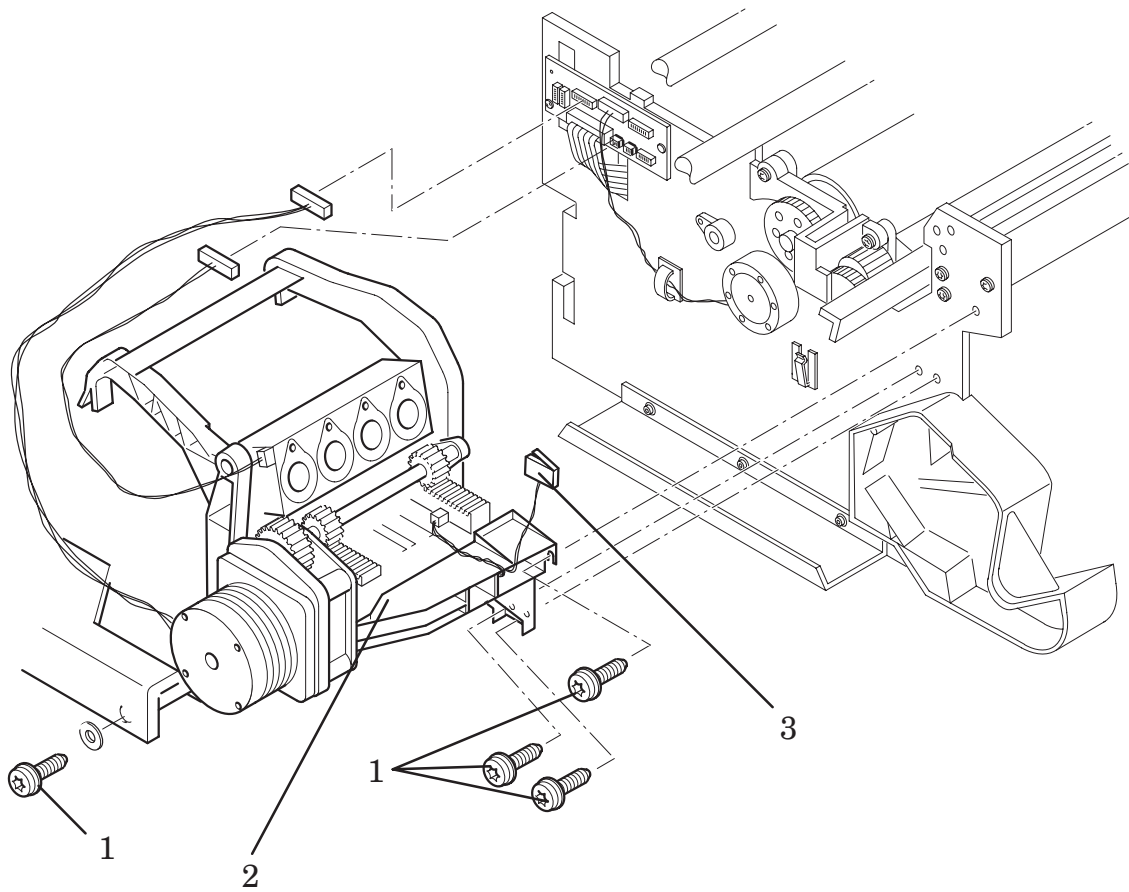
Reference on Drawing	HP Part Number	Quantity	Description
1	0515-1743	1	Screw (T-20)
2	0515-2521	3	Screw (T-20)
3	C4704-60033	1	Elevator Assembly



Elevator Assembly
(Applicable to HP DesignJets 2XXXCP and 3XXXCP)

Refill Assembly

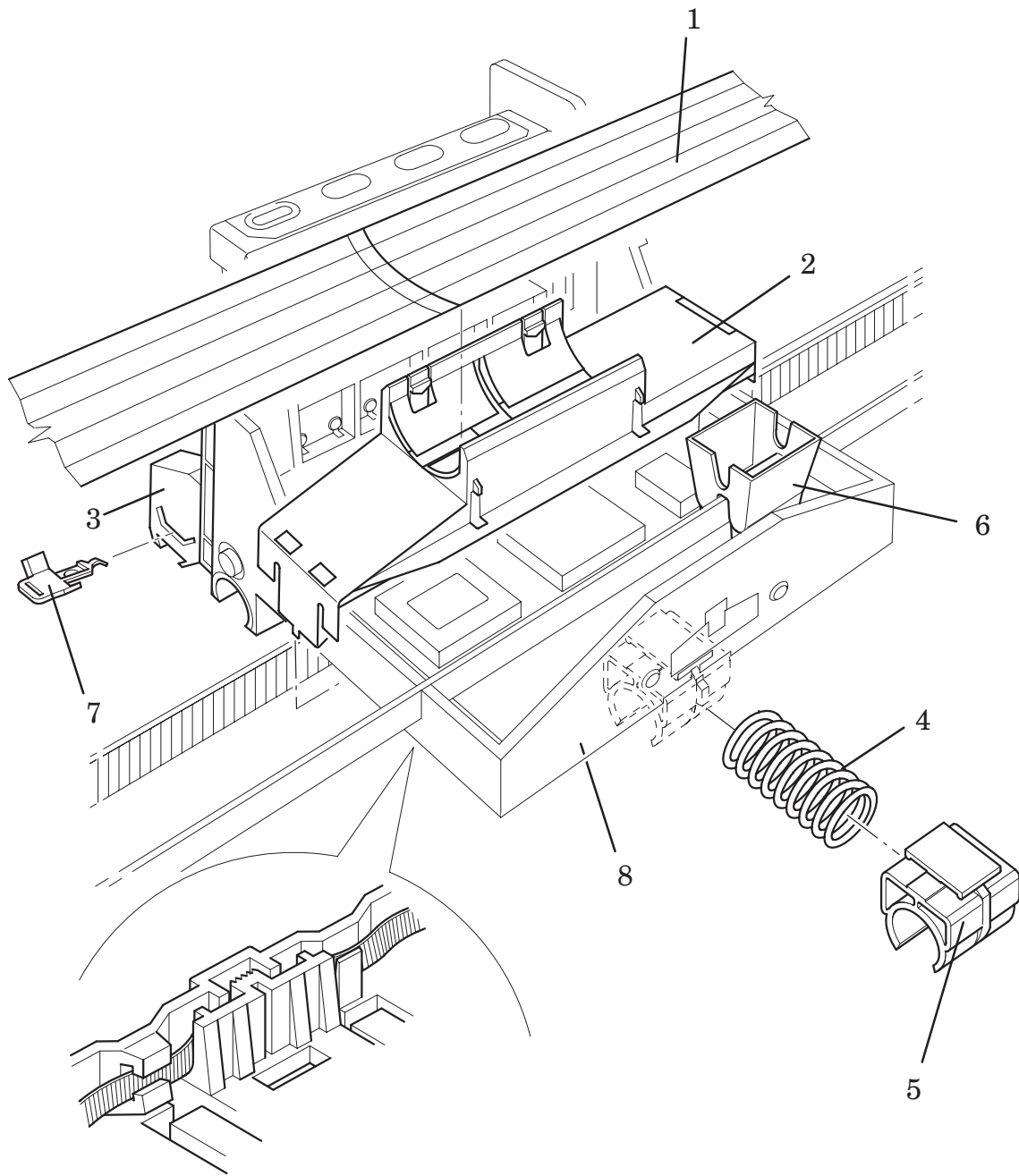
Reference on Drawing	HP Part Number		Quantity	Description
	DesignJet 2500CP/2000CP	DesignJet 3500CP/3000CP		
1	0515-2248	0515-2248	4	Screw (T-20)
■ 2	C4723-60249	C4723-60249	1	Refill Assembly (Includes Item 3)
-	C4723-60238	C4723-60238	1	Adjustment kit
3	C4704-60058	C4704-60058	1	Left Hand Cover Sensor



Refill Assembly

Carriage Assembly

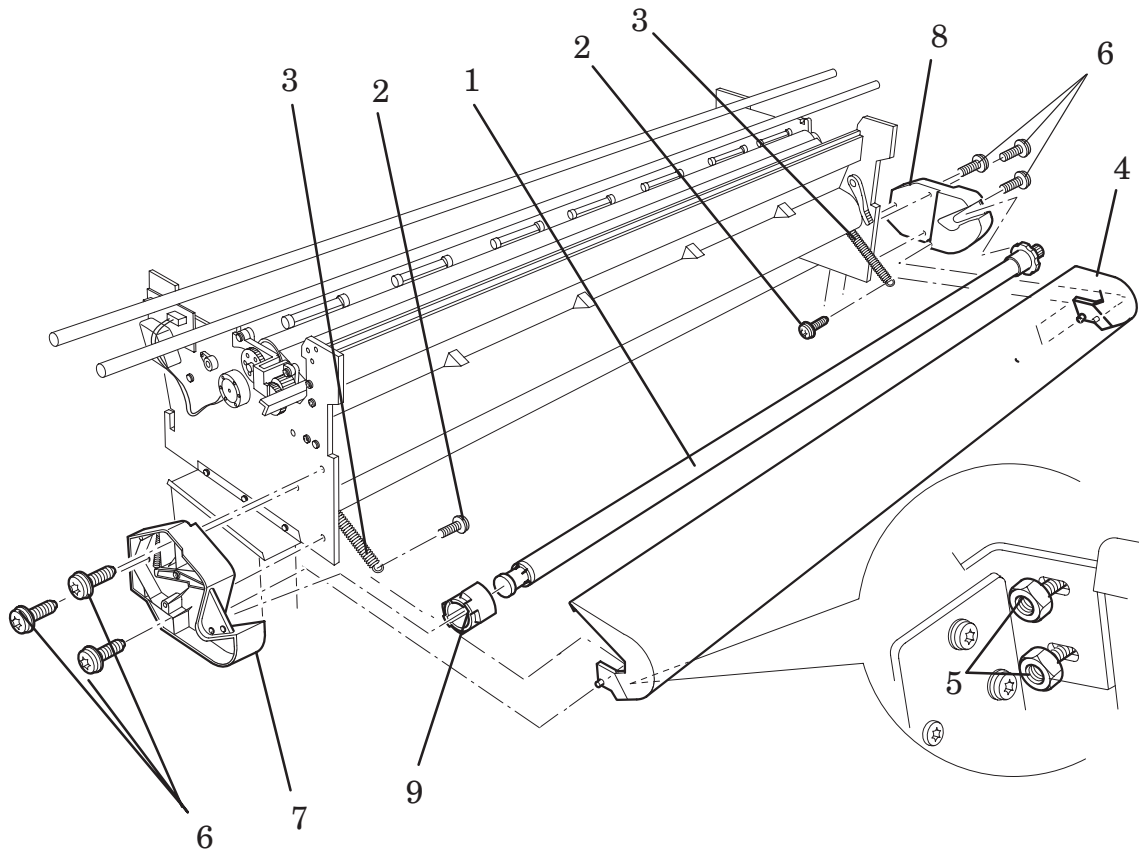
Reference on Drawing	HP Part Number		Quantity	Description
	DesignJet 2500CP/2000CP	DesignJet 3500CP/3000CP		
1	C4704-60015	C4723-60237	1	Trailing Cable
2	C4704-40085	C4704-40085	1	Trailing Cable Carriage Clamp
3	-	-	1	Line Sensor (Included with Item 8)
4	C1633-80014	C1633-80014	1	Carriage Spring
5	C4704-40084	C4704-40084	1	Rear Bushing
6	C4704-40080	C4704-40080	1	Encoder Strip Roof
7	C4704-60117	C4704-60117	5	Line Sensor Lens Cover
■ 8	C4723-60096	C4723-60096	1	Carriage Assembly (includes items 3 thru 7)
■ -	C4704-60198	C4723-60141	1	Preventive Maintenance Kit



Carriage Assembly

Roll Cover Area

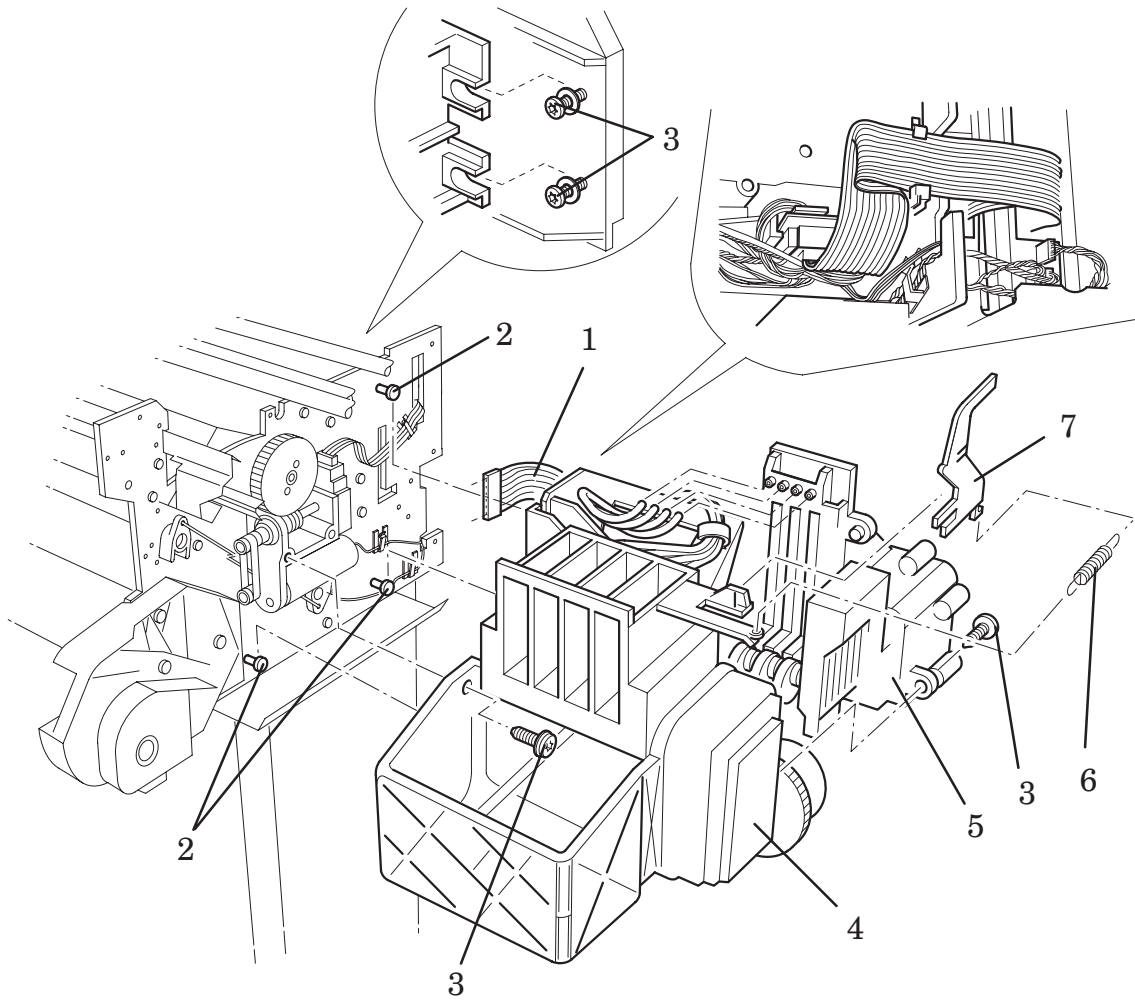
Reference on Drawing	HP Part Number		Quantity	Description
	DesignJet 2500CP/2000CP	DesignJet 3500CP/3000CP		
1	C3196-60163	C4723-60241	1	Spindle Assembly (includes item 9)
2	0515-2253	0515-2253	2	Screw (T-10)
3	C1633-80004	C4723-80021	2	Roll Cover Spring
4	C4704-60068	C4723-60245	1	Roll Cover
5	0535-0043	0535-0043	2	Nut
6	0515-2248	0515-2248	6	Screw (T-20)
7	C4704-60082	C4704-60082	1	Left Hand Roll Feed Assembly
■ 8	C4704-60199	C4704-60199	1	Right Hand Roll Feed Assembly
9	C2858-40043	C2858-40043	1	Spindle Spacer



Roll Cover Area

Service Station Assembly Area
(Applicable to HP DesignJets 2XXXCP and 3XXXCP)

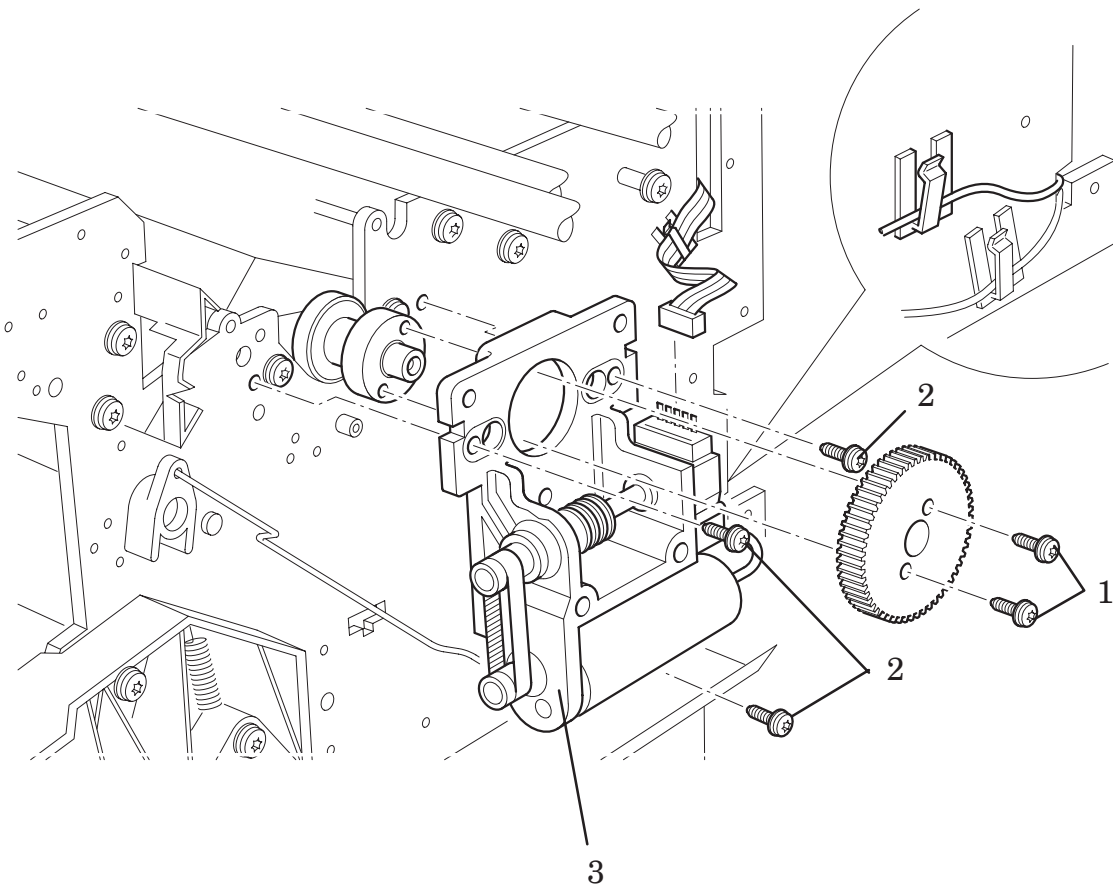
Reference on Drawing	HP Part Number	Quantity	Description
1	C4704-60024	1	Service Station Interconnect Cable
2	0515-2521	3	Screw (T-20)
3	0515-2248	1	Screw (T-20)
■ 4	C4723-60267	1	Service Station Assembly (Includes Items 5, 6 and 7)
5	C4704-60259	1	Primer Assembly
6	C4704-80009	1	Service Station Spring
7	C4704-40007	1	Service Station Flag



**Service Station Assembly Area
(Applicable to HP DesignJets 2XXXCP and 3XXXCP)**

X-axis Motor Assembly
(Applicable to HP DesignJets 2XXXCP and 3XXXCP)

Reference on Drawing	HP Part Number	Quantity	Description
1	0515-0375	2	Screws (T-10)
2	0515-2248	3	Screws (T-20)
3	C4723-60231	1	X-axis Motor Assembly
-	6040-0664	A/R	Silicon Grease



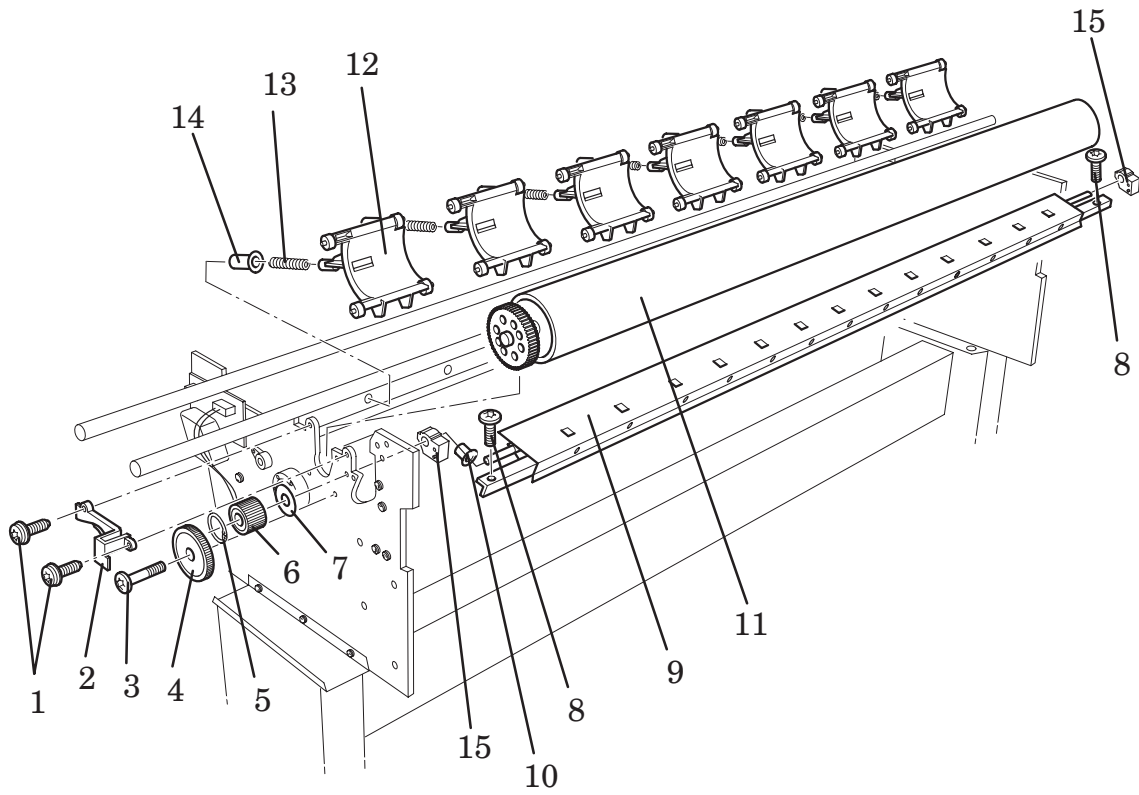
X-axis Assembly
(Applicable to HP DesignJets 2XXXCP and 3XXXCP)

Drive Roller Area (HP DesignJets 2500CP and 2000CP Only)

Reference on Drawing	HP Part Number	Quantity	Description
1	0515-2248	2	Screws (T-20)
2	C4704-40026	1	Roller Support Bracket
3	C2847-20017	1	Shoulder Screw
4	C1633-40019	1	Cluster Gear
5	-	1	Retaining Clip
6	C4705-60089	1	Clutch (Includes Items 5 and 7)
7	-	2	Washers
8	0515-2246	2	Screws (T-10)
■ 9	C4704-60213	1	Overdrive Assembly (See Note A) (Includes Item 6)
■	C4704-60281	1	Overdrive B Model Assembly (See Note B) (Includes Item 6)
10	1410-0708	1	Sleeve Bearing
11	C3196-60171	1	Drive Roller
12	C4723-60247	7	Pincharms
13	C1633-80005	7	Pincharm Spring
14	C1633-40082	7	Pincharm Bushing
15	C1633-40089	2	Mount Block

■ **Note A: Applicable to Serial Number Format ESAXXXXXXXXX**

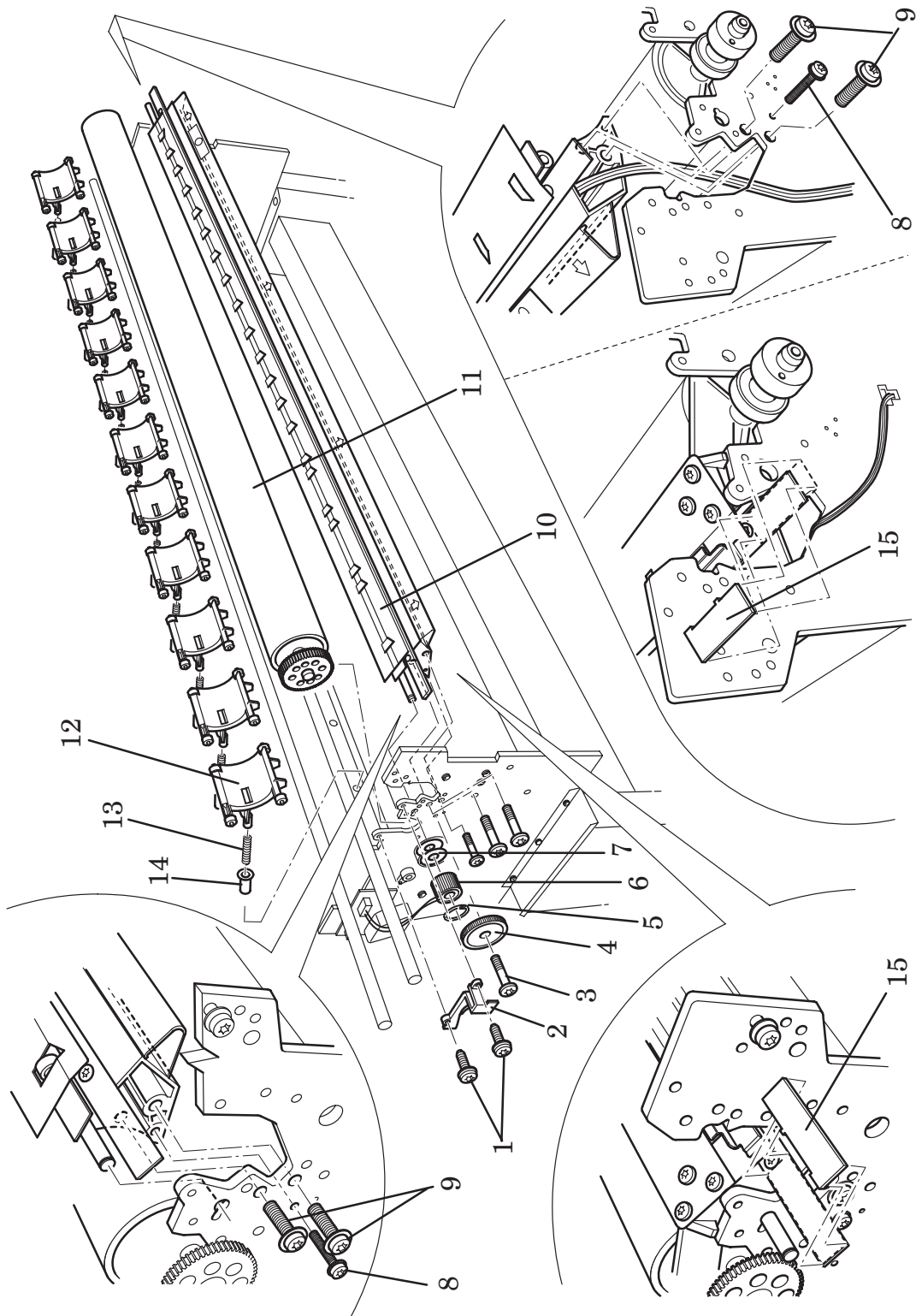
■ **Note B: Applicable to Serial Number Format ESBXXXXXXXX**



**Drive Roller Area
(HP DesignJets 2500CP and 2000CP Only)**

**Drive Roller Area
(HP DesignJets 3500CP and 3000CP Only)**

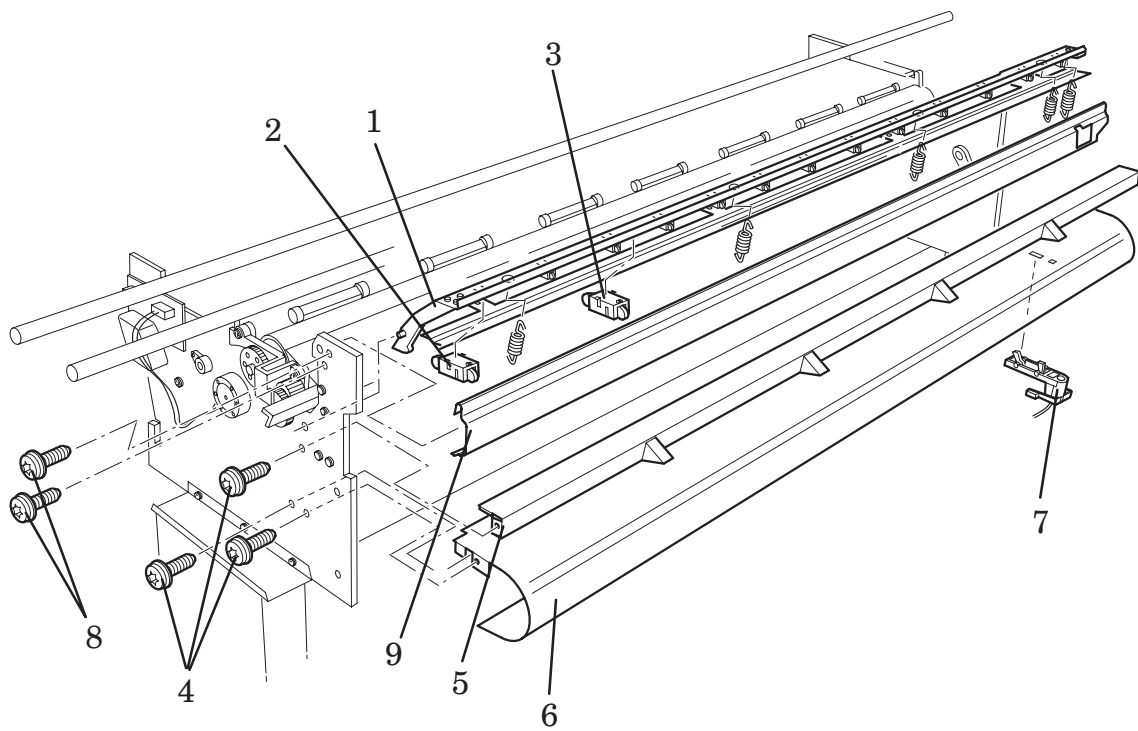
Reference on Drawing	HP Part Number	Quantity	Description
1	0515-2248	2	Screws (T-20)
2	C4704-40026	1	Roller Support Bracket
3	C2847-20017	1	Shoulder Screw
4	C1633-40019	1	Cluster Gear
5	-	1	Retaining Clip
6	C4705-60089	1	Clutch (Includes Items 5 and 7)
7	-	2	Washers
8	0515-2248	2	Screw
9	0515-2765	4	Screw
10	C4723-60234	1	Overdrive Assembly (Includes Items 6 and 15)
11	C4723-60242	1	Drive Roller
12	C4723-60247	11	Pincharm
13	C1633-80005	11	Pincharm Spring
14	C1633-40082	11	Pincharm Bushing
15	-	2	Overdrive Shim (Included with Item 10)



Drive Roller Area
(HP DesignJets 3500CP and 3000CP Only)

Entry Platen Area

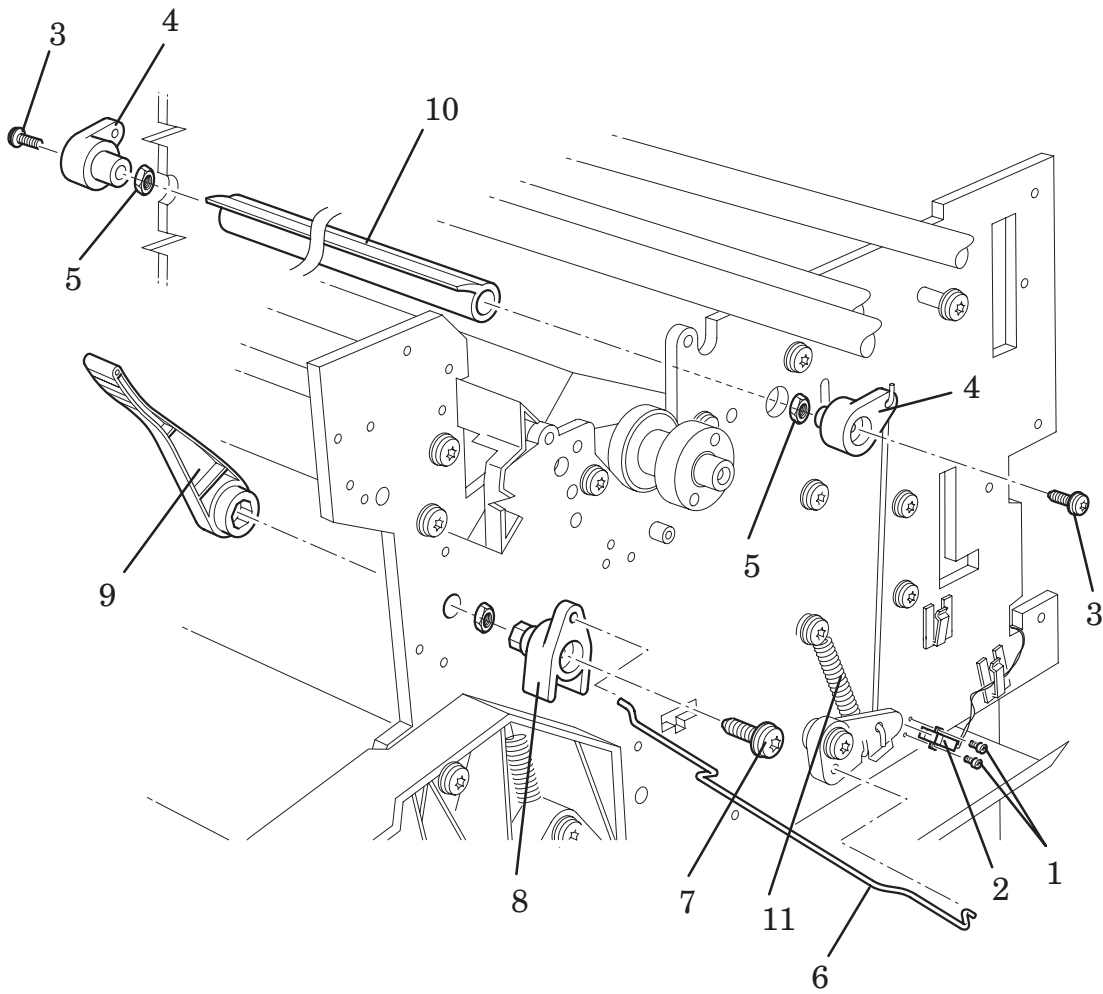
Reference on Drawing	HP Part Number		Quantity	Description
	DesignJet 2500CP/2000CP	DesignJet 3500CP/3000CP		
1	C4704-60226	C4723-60233	1	Bail Assembly
2	C4704-60143	C4704-60143	2	Big Star Wheel Assembly
3	C4699-60045	C4699-60045	11/19	Star Wheel Assembly
4	0515-2337	0515-2337	7	Screws (T-15)
5	C4704-60067	-	1	Cutter Enclosure
6	C4704-60079	C4723-60246	1	Entry Platen
7	C4704-60195	C4704-60195	1	Media Sensor
8	0515-2248	0515-2248	4	Screws (T-20)
9	C4704-60242	C4723-60250	1	Starguard Assembly



Entry Platen Area

Pincharm Assembly

Reference on Drawing	HP Part Number		Quantity	Description
	DesignJet 2500CP/2000CP	DesignJet 3500CP/3000CP		
1	0515-2200	0515-2200	2	Screw (T-10)
2	C4704-60052	C4704-60052	1	Pincharm Sensor
3	0515-2815	0515-2815	1	Screw (T-9)
4	C3190-60149	C3190-40053	2	Cam Journal
5	0535-0152	0535-0152	2	Nut
6	C4704-00025	C4723-00025	1	Front Wire Link
7	0515-2414	0515-2414	1	Screw (T-20)
8	C3180-40020	C3180-40020	1	Pincharm Cam
■ 9	C4704-40059	C4704-40059	1	Pincharm Lever
10	C2848-60032	C4723-60240	1	Pincharm Shaft Assembly (includes items 3 thru 5)
11	C1633-80007	C1633-80007	1	Spring



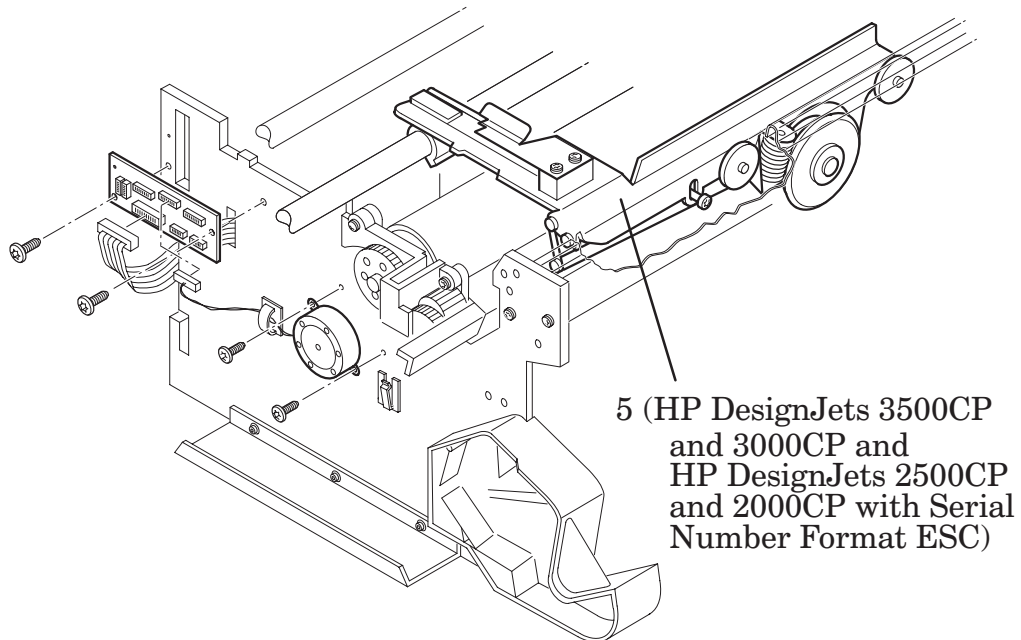
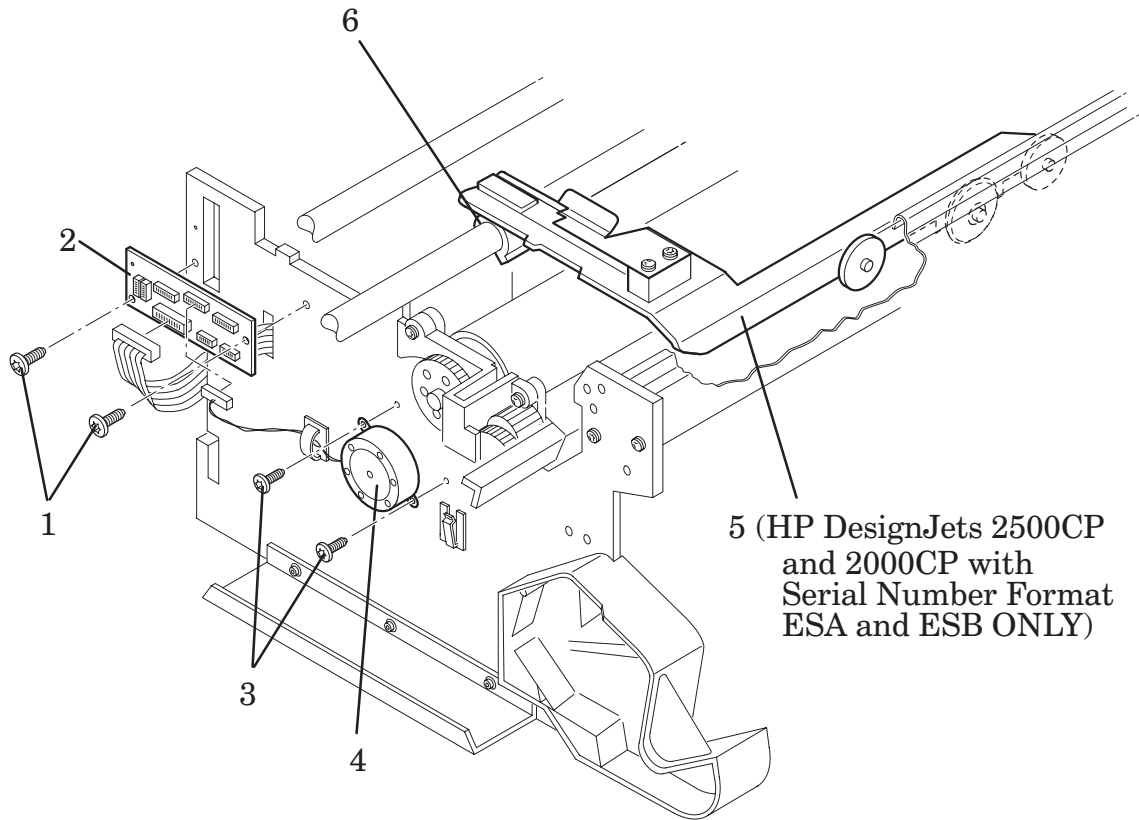
Pincharm Assembly

Refill Interconnect PCA and Cutter Assembly

Reference on Drawing	HP Part Number		Quantity	Description
	DesignJet 2500CP/2000CP	DesignJet 3500CP/3000CP		
1	0515-1743	0515-1743	2	Screw (T-20)
2	C4704-60009	C4704-60009	1	Refill Interconnect PCA
3	0515-2200	0515-2200	2	Screw (T-10)
4	C4704-60040	C4723-60040	1	Bail Motor
5	C4704-60019	C4723-60244	1	Cutter Assembly (See Note below)
6	C3195-40076	C3195-40076	1	Cutter Bushing

Note: Part Number C4704-60019 is Applicable to HP DesignJets 2000CP and 2500CP with Serial Number Format ESAXXXXXX and ESBXXXXXX.

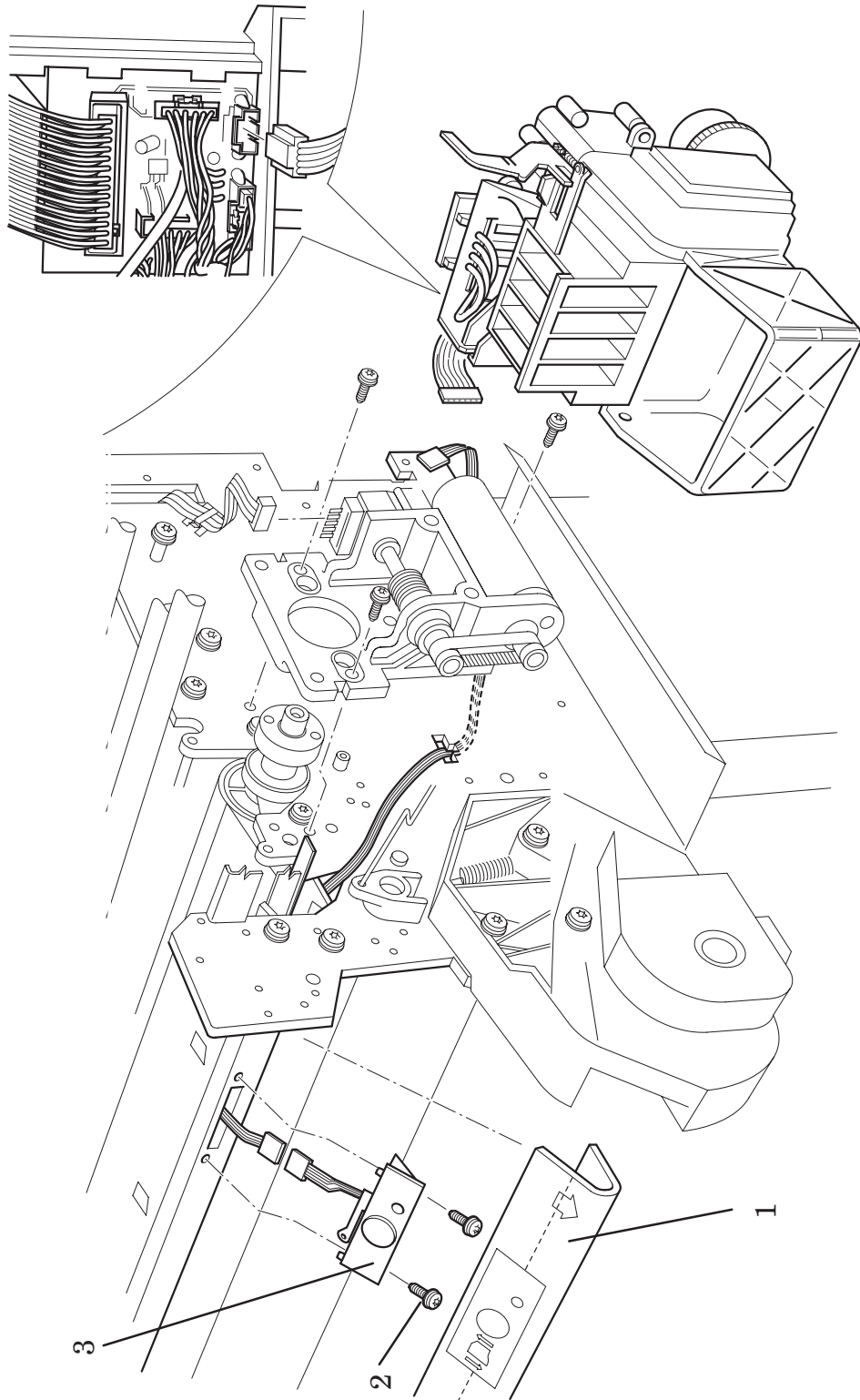
Note: Part Number C4723-60244 is Applicable to HP DesignJets 3000CP and 3500CP and to HP DesignJets 2000CP and 2500CP with Serial Number Format ESCXXXXXX.



Refill Interconnect PCA and Cutter Assembly

Media Button (HP DesignJets 3500CP and 3000CP Only)

Reference on Drawing	HP Part Number	Quantity	Description
1	C4723-00003	1	Media Guide
2	0515-2282	2	Screw
3	C4723-60017	1	Media Switch Assembly



Media Button (HP DesignJets 3500CP and 3000CP Only)

Compatible Documentation

HP Part Number	Description
C4704-90011	English User Guide (HP DesignJet 2500CP)
C4704-90015	French User Guide (HP DesignJet 2500CP)
C4704-90017	Italian User Guide (HP DesignJet 2500CP)
C4704-90014	German User Guide (HP DesignJet 2500CP)
C4704-90016	Spanish User Guide (HP DesignJet 2500CP)
C4704-90019	Portuguese User Guide (HP DesignJet 2500CP)
C4704-90012	Korean User Guide (HP DesignJet 2500CP)
C4704-90013	Taiwanese User Guide (HP DesignJet 2500CP)
C4704-90018	Japanese User Guide (HP DesignJet 2500CP)
C4704-90020	Chinese User Guide (HP DesignJet 2500CP)
C4703-90061	English User Guide (HP DesignJet 2000CP)
C4703-90065	French User Guide (HP DesignJet 2000CP)
C4703-90067	Italian User Guide (HP DesignJet 2000CP)
C4703-90064	German User Guide (HP DesignJet 2000CP)
C4703-90066	Spanish User Guide (HP DesignJet 2000CP)

Compatible Documentation (continued)

HP Part Number	Description
C4703-90069	Portuguese User Guide (HP DesignJet 2000CP)
C4703-90062	Korean User Guide (HP DesignJet 2000CP)
C4703-90063	Taiwanese User Guide (HP DesignJet 2000CP)
C4703-90068	Japanese User Guide (HP DesignJet 2000CP)
C4703-90070	Chinese User Guide (HP DesignJet 2000CP)
C4724-90051	English User Guide (HP DesignJet 3500CP/3000CP)
C4724-90055	French User Guide (HP DesignJet 3500CP/3000CP)
C4724-90057	Italian User Guide (HP DesignJet 3500CP/3000CP)
C4724-90054	German User Guide (HP DesignJet 3500CP/3000CP)
C4724-90056	Spanish User Guide (HP DesignJet 3500CP/3000CP)
C4724-90059	Portuguese User Guide (HP DesignJet 3500CP/3000CP)
C4724-90052	Korean User Guide (HP DesignJet 3500CP/3000CP)
C4724-90053	Taiwanese User Guide (HP DesignJet 3500CP/3000CP)
C4724-90058	Japanese User Guide (HP DesignJet 3500CP/3000CP)
C4724-90060	Chinese User Guide (HP DesignJet 3500CP/3000CP)

Compatible Documentation (continued)

HP Part Number	Description
C4704-90051	English Software Application Notes (graphics packages) (HP DesignJet 2500CP/2000CP)
C4704-90055	French Software Application Notes (graphics packages) (HP DesignJet 2500CP/2000CP)
C4704-90054	German Software Application Notes (graphics packages) (HP DesignJet 2500CP/2000CP)
C4704-90057	Italian Software Application Notes (graphics packages) (HP DesignJet 2500CP/2000CP)
C4704-90056	Spanish Software Application Notes (graphics packages) (HP DesignJet 2500CP/2000CP)
C4724-90021	English Software Application Notes (graphics packages) (HP DesignJet 3500CP/3000CP)
C4724-90025	French Software Application Notes (graphics packages) (HP DesignJet 3500CP/3000CP)
C4724-90024	German Software Application Notes (graphics packages) (HP DesignJet 3500CP/3000CP)
C4724-90027	Italian Software Application Notes (graphics packages) (HP DesignJet 3500CP/3000CP)
C4724-90026	Spanish Software Application Notes (graphics packages) (HP DesignJet 3500CP/3000CP)
5959-9733	HP-GL/2 and RTL Programmer's Reference Guide (English)
5959-9734	The product Comparison Guide for HP-GL/2 and HP RTL Peripherals (English)
5961-0938	PJL Technical Reference Manual (English)

Front Panel Overlays (HP DesignJets 2500CP and 2000CP Only)

HP Part Number	Description
C4704-60101	English Front Panel Overlay
C4704-60105	French Front Panel Overlay
C4704-60107	Italian Front Panel Overlay
C4704-60104	German Front Panel Overlay
C4704-60106	Spanish Front Panel Overlay
C4704-60109	Portuguese Front Panel Overlay
C4704-60102	Korean Front Panel Overlay
C4704-60103	Taiwanese Front Panel Overlay
C4704-60108	Japanese Front Panel Overlay
C4704-60110	Chinese Front Panel Overlay

Front Panel Overlays (HP DesignJets 3500CP and 3000CP Only)

HP Part Number	Description
C4723-60201	English Front Panel Overlay
C4723-60205	French Front Panel Overlay
C4723-60207	Italian Front Panel Overlay
C4723-60204	German Front Panel Overlay
C4723-60206	Spanish Front Panel Overlay
C4723-60209	Portuguese Front Panel Overlay
C4723-60202	Korean Front Panel Overlay
C4723-60203	Taiwanese Front Panel Overlay
C4723-60208	Japanese Front Panel Overlay
C4723-60210	Chinese Front Panel Overlay

Interface Cables

Computer Interface	HP Part Number	Cable Length	Description
Serial (RS 422) Interface (Apple Macintosh Plus SE II Series Classic LC family Quadra family PowerBook PowerMac)	92215S (see note)	1.5m (4.9ft)	8-pin male mini-DIN
Parallel Bi-tronics/Centronics Interface	C2951A	3.0m (9.8ft)	25 pin male

Note: If you have purchased the optional HP JetDirect Printer Server (Network Interface) for the HP DesignJet 2000CP printer this cable is required.

Plug-in memory (DRAMM SIMM)

HP Part Number	Description
■ 1818-6171	4MB DRAMSIMM
■ C4723-60263	8MB DRAMSIMM
■ 1818-6430	16MB DRAMSIMM
■ 1818-6431	32MB DRAMSIMM

Note: For the location of the plug-in memory see page 7-12/7-14

Ink Delivery Systems

Imaging Inks HP Part Number	UV Inks HP Part Number	Description
C1806A	C1892A	Black
C1807A	C1893A	Cyan
C1808A	C1894A	Magenta
C1809A	C1895A	Yellow